

# ***EG162 Popular EG162 Unitop***

## ***Self-Powered Pneumatic Tank Contents Gauge***



**\* Large easy to read dial**

**\* For storage tanks to 4m high at  
sg 0.84**

**\* Remote indication up to 50m  
from tank**

**\* Scale calibrated in litres or as  
required**

**\* Easy to install**

**\* Low cost**

***Excellence in Level Measurement***

## Application

### EG 162 Popular

For use with tanks which have a height or diameter of up to 4 metres and containing most liquids with a viscosity of up to 200 secs. Redwood No. 1 i.e. light heating oils, water, etc.

Remote indication up to 50 metres from storage tank.

The gauges are always works preset and calibrated to customer's requirements.

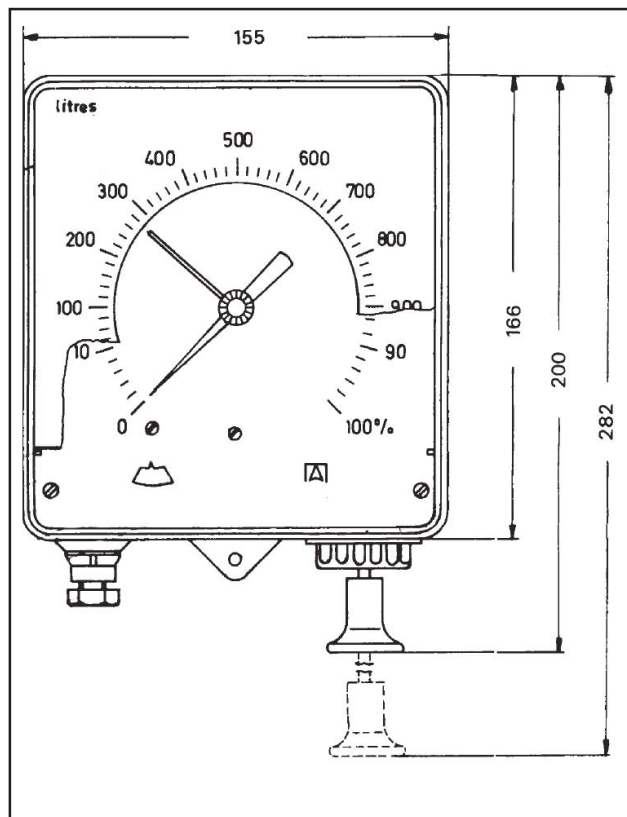
### EG 162 Unitop

Universally adjustable version of the EG 162 Popular gauge enabling the user to adjust the gauge on site for tanks with a height from 0.7 - 4.0 metres in 3 ranges, containing liquids with a specific gravity range between 0.70 - 1.00.

When adjustment is carried out on site it is necessary to consult the index table of the Installation and Operating Instructions which relate tank heights to specific gravity.

The gauge is supplied with a basic 0-100% scale but separate slide-in scales calibrated to customers requirement can be supplied and inserted on site by the user at a later date.

In all other respects the gauge is identical to the EG 162 Popular.



## General description

The gauge is connected to the tank by capillary tube which enters at the top and extends down to the bottom of the tank.

Incorporated in the gauge is a pneumatic pump which is operated every time a reading is required. This pump balances the static pressure head of the liquid contained in the tank against a membrane, resulting in an indication of the tank contents.

The gauge can be installed either above or below the level of the storage tank.

## Specification

Accurate precision instrument fitted with over-pressure device.

Simple zero correction adjustment.

Temperature range: -5°C to +55°C.

Scale can be prepared for any unit of depth or quantity according to customer's requirements.

Reference pointer to allow checking of liquid consumption.

Housing manufactured from a high impact resistant durable plastic.

Capillary connection for 6mm OD tubing.

Clean attractive design producing maximum legibility.